

Prem's **SPW-3600 Series** is a group of 12VA, International-Capable, Standard Profile, PC mount transformers with dual 115/230V primaries and dual secondaries that are designed to be used in low power applications. They provide the high isolation, creepage, and clearance distances required to comply with many international safety standards, and are interchangeable with **SPW-600-D Series** units.

- Dual primaries & dual secondaries: Must be series or parallel connected
- Insulation system: Class B (130°C), UL 1446 (File E85315)
- Dielectric strength: 4500Vrms primary to secondary
- UL94V-0-rated bobbin & shroud
- Shrouded primary & three flange bobbin design; no electrostatic shield required
- Anchor, insulating, and crossover tapes plus two distinct, separate windings for each primary & secondary assure excellent dielectric strength capabilities
- 100% final tested: Every transformer is tested on automated panels for induced voltage (shorted turns), exciting current, open circuit voltage (turns ratio), polarity (phasing), and dielectric strength
- Immersed in 100% solids epoxy resin to withstand most aqueous and solvent cleaning systems
- Also available: Domestic, UL/CSA approved, & pin-out compatible, dual primary 115/230V **SPW-600-D Series**
- Other primary and secondary voltages may be custom designed to your specifications

## SPW-3600 Series (12VA) Data Sheet

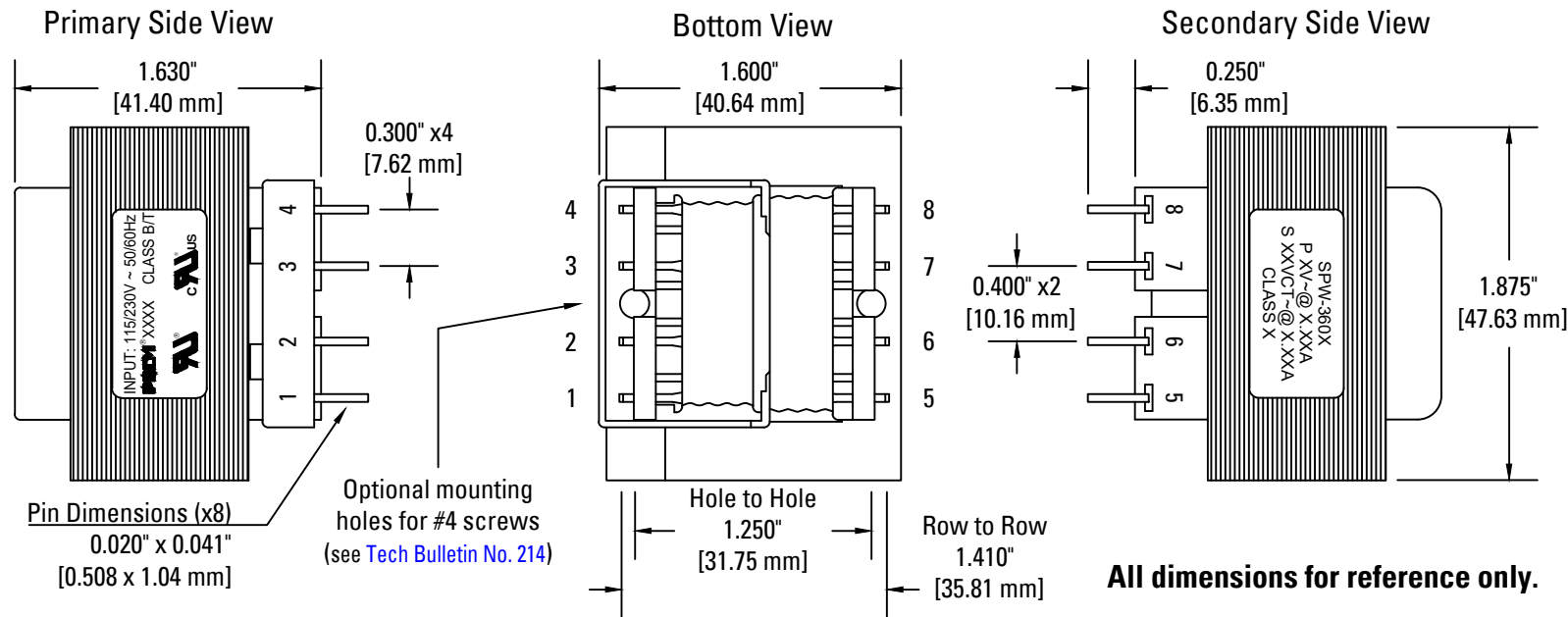
### AGENCY CERTIFICATIONS:

UL 1446 (File E85315)

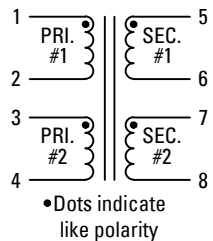
UL 1950 (File E125106)

UL 1585/5085-3 (Class 2 & 3):  
*SPW-3600 to -3608*  
(File E125107)

cUL: UL tested to CAN/CSA  
C22.2 No. 234-M90  
(File E125106), &  
C22.2 No. 66.1-06, 66.3-06  
(Class 2): *SPW-3600 to -3603* (File 125107)



### Schematic



PRIMARY AND SECONDARY WINDINGS ARE DESIGNED TO BE USED AS ONE PRIMARY AND ONE SECONDARY WINDING WITH EITHER SERIES OR PARALLEL CONNECTIONS ONLY.

Input Voltage 1-4 (tie 2-3): 230V @ 50/60Hz  
 Input Voltage 1-4 (tie 1-3, 2-4): 115V @ 50/60Hz

Secondary Series Connections: Tie 6-7; output 5-8  
 Secondary Parallel Connections: Tie 5-7, 6-8; output 5-8

### FUSE TYPES/VALUES USED TO GAIN SAFETY AGENCY COMPONENT RECOGNITION:

Fuse circuit location: Primary Fuse manufacturer: Littelfuse, Inc. (Des Plaines, IL)  
 Fuse P/N: 218.100 (230V Input) or 218.200 (115V Input)

PART NUMBER	RMS RATING WITH SECONDARIES IN:	
	SERIES	PARALLEL
SPW-3600	10VCT @ 1.20A	5V @ 2.40A
SPW-3601	12.6VCT @ 1.00A	6.3V @ 2.00A
SPW-3602	16VCT @ 800mA	8V @ 1.60A
SPW-3603	20VCT @ 600mA	10V @ 1.20A
SPW-3604	24VCT @ 500mA	12V @ 1.00A
SPW-3605	28VCT @ 425mA	14V @ 850mA
SPW-3606	36VCT @ 350mA	18V @ 700mA
SPW-3607	48VCT @ 250mA	24V @ 500mA
SPW-3608	56VCT @ 220mA	28V @ 440mA
SPW-3609 *	120VCT @ 100mA	60V @ 200mA

\* Voltage ratings cannot be approved under UL 1585

8/9/19 | -3 | Updated agency approvals | AG

1/16/19 | -2 | Updated data sheet fmt. | AG

11/9/15 | -1 | Updated agency approvals | RR

DATE | ISS. | REVISION | BY

Designed by: RR 9/26/97  
 Drawn by: AG 12/21/18  
 Checked by: DB & TJK  
 Drawing rev.: SPW-3600-3

**PREM**  
MAGNETICS, INC.

3521 N Chapel Hill Rd  
 Johnsburg, IL 60051  
[www.premmagnetics.com](http://www.premmagnetics.com)